

**Product description**

- > Microwave sensor suitable for dimmable lighting applications
- > Detection range up to 16m
- > For internal fixing within light fittings with glass or plastic diffusers
- > Daylight sensor
- > Can be used with LED, fluorescent and incandescent lamps
- > Suitable for 3-stage dimming applications with analogue (1-10V) control gear
- > Cost-effective means of instantly reducing your lighting energy bills

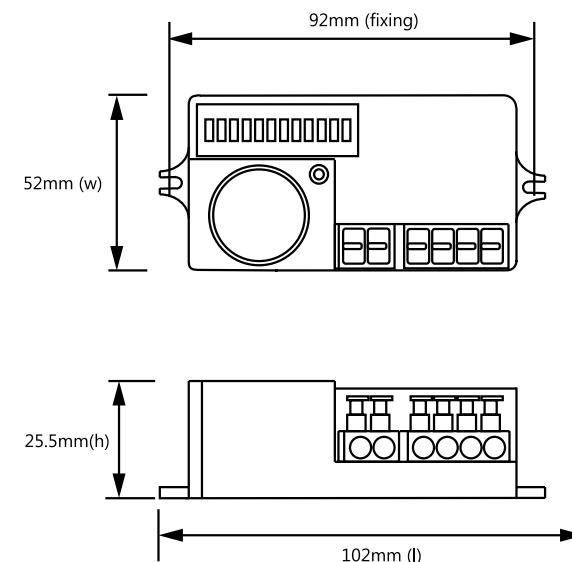
**Properties**

- > Automatic switching based upon 5.8GHz (C-Band licence-free operation) Doppler principle radar technology
- > 50,000hrs+ operational life
- > Ultra-low power, around 1/10th of that emitted by mobile phones
- > For mounting heights of 2m to 8m in internal applications\*
- > Built-in daylight sensor to prohibit switching when there is sufficient daylight
- > Unambiguous settings for sensitivity, hold-time and daylight threshold. Dimming level and dimming stand-by period selectable by DIP switch setting
- > Configurable as ON/OFF function, 2-step dimming (ON/DIM) or 3-step dimming (ON/DIM/OFF)
- > Can 'see' through glass and plastic enclosures - no need for drilling or compromising the external appearance of the light fixture
- > Common output compatible for multi-sensor operation of a single luminaire
- > Horizontal push-wire terminations for easy wiring. Common neutral provided for easy input/output wiring

\* Microwave sensors may not be suitable for certain outdoor applications

Common Technical Data	
Input Supply Voltage	230V +/- 10%
Supply Frequency	50/60 Hz
Maximum Load	800W Reactive, 1200W Resistive
Detection Area	16x6 maximum (8m at 2.5m Ceiling Height)
Operating temperature	-35° to 70°C
IP Rating	IP20
Weight	85g

Model Number	Standard Pack Quantities	Weight
OS PRO	100	9.2kg
OS PRO+	100	9.0kg



OS AIR /T: "Master" RF transmitter and occupancy sensor

**Accessories**

- > IP65 enclosure

