

**Product description**

Unity-LED Remote™ is an effective solution for emergency conversion of luminaires using LED arrays. The compact, robust housing is supplied containing our Unity-LED™ combined mains/emergency driver, re-chargeable NiCd battery, connection terminals and optional microwave presence detector. Its hinged cover offers easy access for both wiring and battery during installation and once wired, it will pass through a ceiling cut out of just 150mm diameter. This product is also available with pre-wired cable assemblies for simple 'plug-and-play' convenience.

Unity-LED™ constant-power, SELV isolated drivers will run any LED lamp or array within their voltage range, in both mains and emergency mode, so making it easy to produce an emergency version of your existing LED luminaire without the need for separate 'emergency' LEDs or connectors.

They are available with user-selectable lamp drive currents of either 350/500mA or 700/1050mA .

**Features**

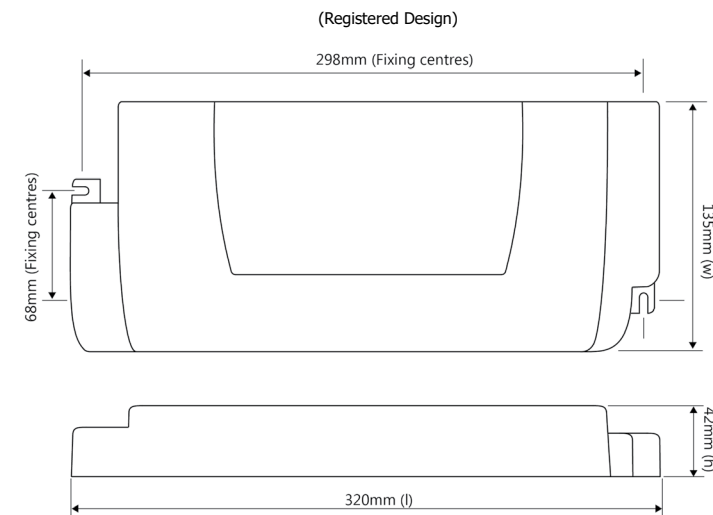
- > Simple, self-contained, Maintained emergency solution ideal for use with LED panels or down-lights up to 50W
- > User selectable, Mains-mode LED output current with additional 10, 20 & 25% reductions
- > Option of integral One-LUX, OS/10.5 microwave detector for energy saving on/off control of the lamp. 'OS' versions
- > External battery connector for simple isolation
- > 3 hour emergency operation using 3 x 4Ah NiCd cells
- > Emergency output power (Typical) : 2.6W
- > Green charge indicator LED with 750mm leads and bezel (OB1)
- > Moulded in black UL94\_V0 rated Polycarbonate
- > Driver complies with: EN61347-1, EN61347-2-7, EN61347-2-13, EN55015, EN61000-3-2, EN61547
- > Conforms to EN60598-1 & EN60598-2-22
- > Mating panel plug & socket connections available on request
- > Registered design
- > Alternative battery options and additional features, such as full 1-10V lamp dimming and dim to 10% upon absence with integral One-LUX, OS/10.5 microwave detector are available.

Common Technical Data	
Input Supply Voltage & Frequency	230V ± 10% 50/60 Hz
LED Current (User Selectable)	350/500mA or 700/1050mA
LED Voltage Range	20 - 55V DC (max 48V for OLU700)
Battery Type	3.6V NiCd
Ambient Temperature Range	5 - 35°C
IP Rating	IP20
Earth Leakage Current	<0.5mA
Weight	0.8Kg (2-Cell) - 0.9Kg (4-Cell)
Dimensions (mm)	320(l) x 135(w) x 42(h)
Minimum Ceiling Cut-out Size	150mm Diameter

Model Number	Battery Pack	Emergency Driver
Mains & Emergency Operation		
RBU350/500/3/M3	3 Cell NiCd	<a href="#">OLU350/500/3/M3</a>
RBU700/1050/3/M3		<a href="#">OLU700/1050/3/M3</a>

Mains & Emergency Operation With Microwave Presence Detector		
RBU350/500/3/M3/OS	3 Cell NiCd	<a href="#">OLU350/500/3/M3</a>
RBU700/1050/3/M3/OS		<a href="#">OLU700/1050/3/M3</a>

'Mains Only' versions also available on request.



Please note: It is the users responsibility to ensure full compatibility of the Unity-LED Remote product for the intended application and for compliance of the emergency conversion to relevant Standards. Please contact our Technical department if you are in any doubt.

